

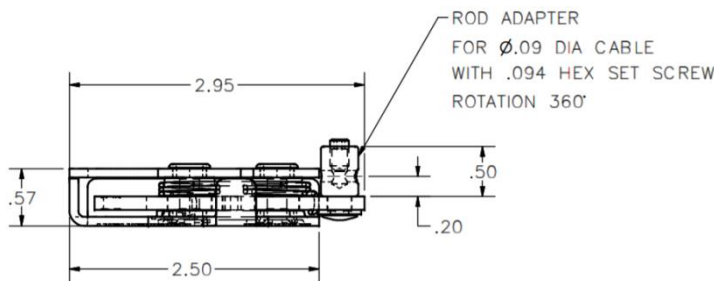
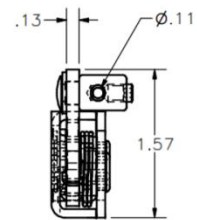
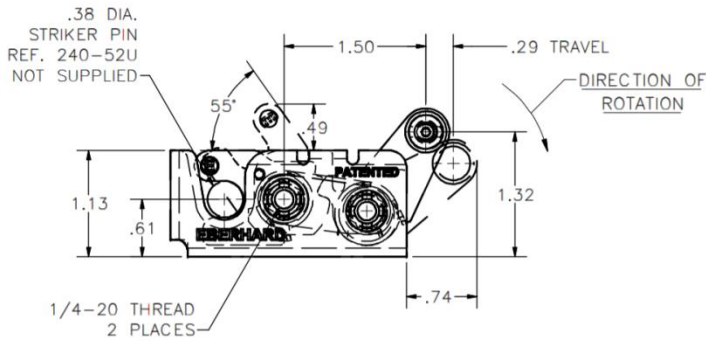
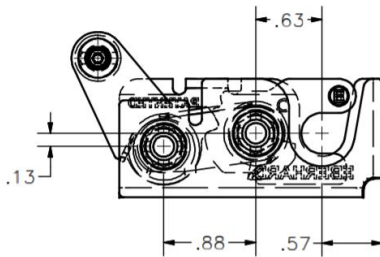
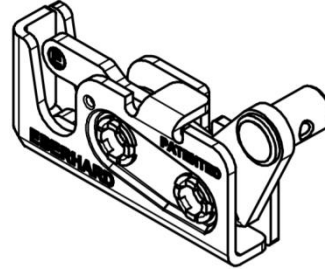
18X-240 Rotary Latch With Rod Adapter

Features

- Two stage rotary latch with riveted rod adapters designed for 3/32" dia. Cable
- Heavy spring
- Maximum rated load strength of 750 lbs

Notes

- Striker sold separately

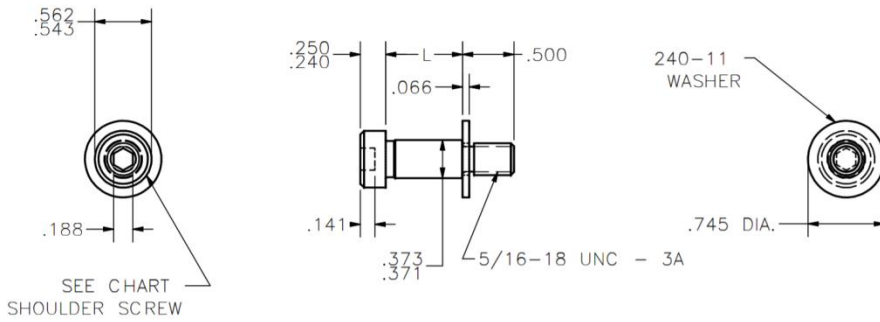


Right hand (-R) shown,
left hand (-U) is opposite

Part No.	Type
18X-240-BR	Right Hand
18X-240-BL	Left Hand

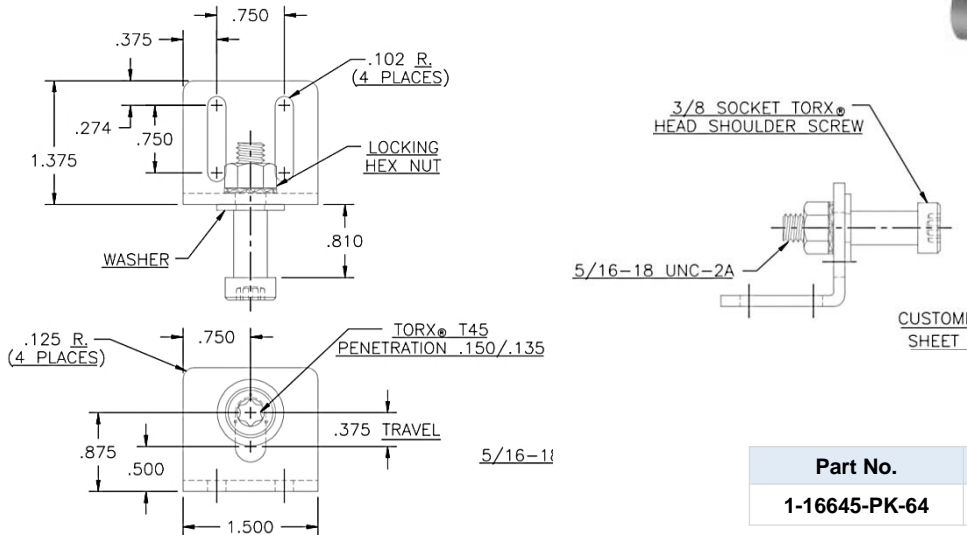
Dimensions in inches

240-52U-25 Striker Pin With Washer



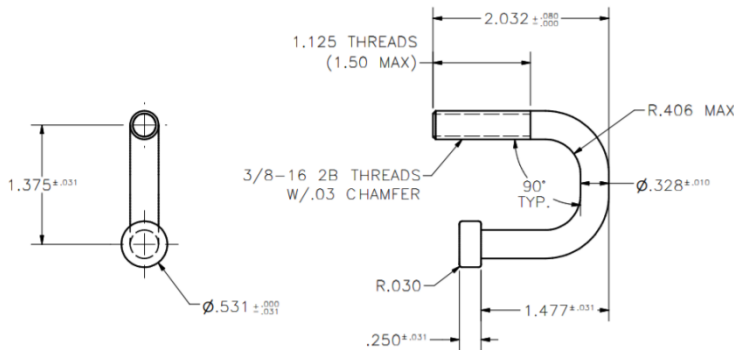
Part No.	Material	L ± .005
240-52U-25	Steel, zinc finish	.750
3-240-52U-25		1.750

1-16645-PK-64 Adjustable Striker



Part No.	Material
1-16645-PK-64	Zinc with yellow chromate

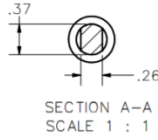
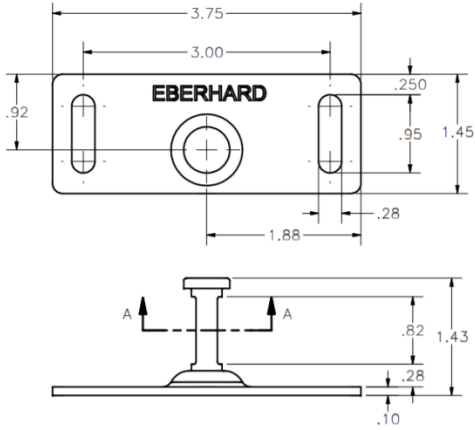
20-240-10 Small Hook Striker



Part No.	Material
20-240-10	Steel, zinc plated

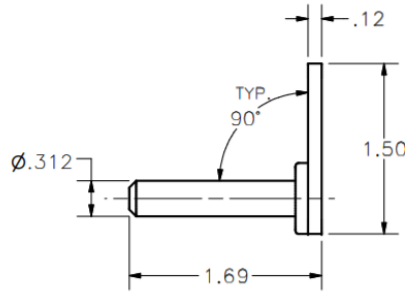
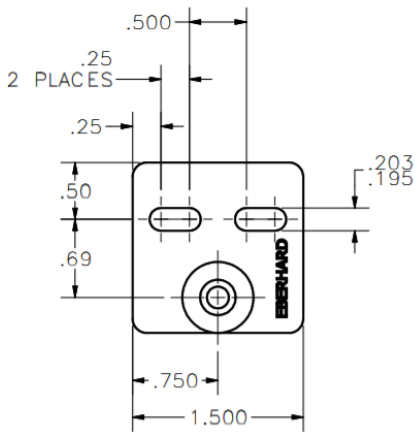
Dimensions in inches

17-240-52 Striker With Slotted Holes



Part No.	Material
17-240-52	E-coat black

4-240-52 Adjustable Striker Plate Subassembly



Part No.	Material
4-240-52	Steel, zinc plated

Dimensions in inches



We are Eberhard's exclusive distributor